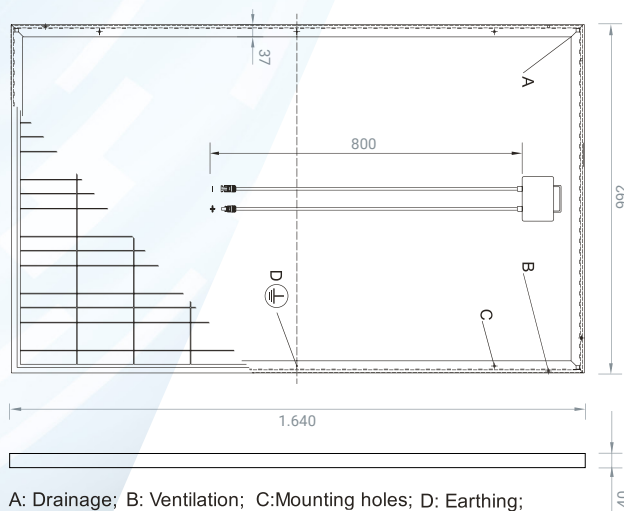


PVT STANDARD M.60-S-300

# STANDARD MONOCRYSTALLINE 60 cell module

**PVT**  
AUSTRIA



A: Drainage; B: Ventilation; C: Mounting holes; D: Earthing;

## Working Conditions

MAX. SYSTEM VOLTAGE	DC 1.000 V (TUV)
OPERATING TEMPERATURE	-40°C / +85°C
MAX. REVERSE CURRENT	16 A
MAX. WIND/SNOW LOAD	2.400 Pa / 5.400 Pa
IP PROTECTION LEVEL	65
SAFETY CLASS	II

## Electrical Parameters

MAX. POWER* (PMPP)	300 WP
RATED VOLTAGE (VMPP)	32,15 V
RATED CURRENT (IMPP)	9,35 A
OPEN CIRCUIT VOLTAGE (VOC)	39,45 V
SHORT CIRCUIT CURRENT	9,90 A
POWER TOLARANCE	0/+3 %
NOCT	48,3°C

## Temperatur Coefficients

VOLTAGE TEMP. COEFF. ( $\beta$ )	-0,30 %/K
CURRENT TEMP. COEFF. ( $\alpha$ )	+0,042 %/K
POWER TEMP. COEFF. ( $\delta$ )	-0,39 %/K

## Mechanical Parameters

CELL SIZE	156 x 156 mm
NUMBER OF CELLS	6 x 10
FRONT SIDE GLASS	3,2 mm hardened solar glass
WEIGHT	19 kg
DIMENSIONS (L x W x H mm)	1.640 x 992 x 40
J-BOX	Plastic, IP65, ventilated
CABEL LENGTH	0,8-1,1 m
CABEL CROSS SECTION SIZE	4 mm <sup>2</sup>
NUMBER OF DIODES	3
PLU-IN CONNECTION	MC4 or equivalent
FRAME	Anodised Al frame (silver)
PACKAGING CONFIGURATION	25 pcs./pallet

## Certific



## Efficiency Guarantee

12 YEARS GUARANTEE	90% MAX. OUTPUT	80% MAX. OUTPUT
10 YEARS GUARANTEE		
25 YEARS GUARANTEE		